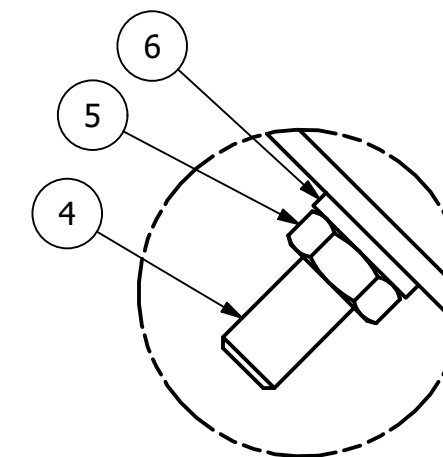
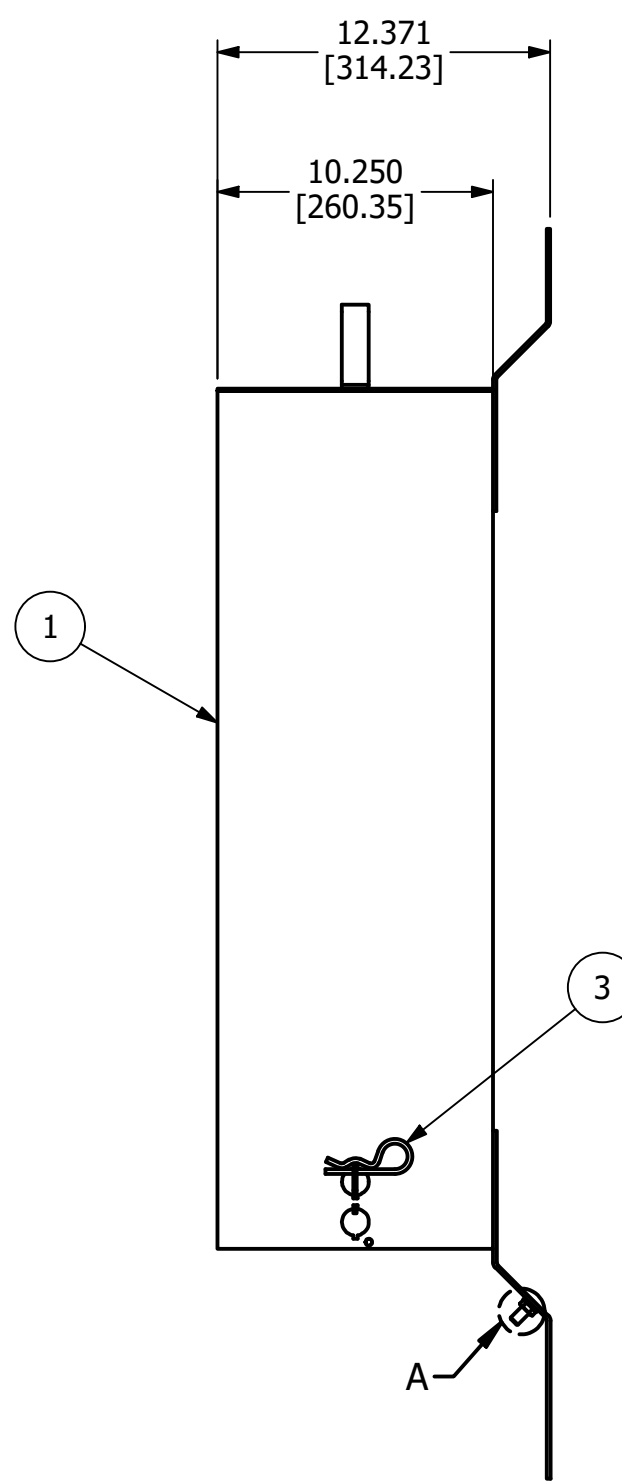
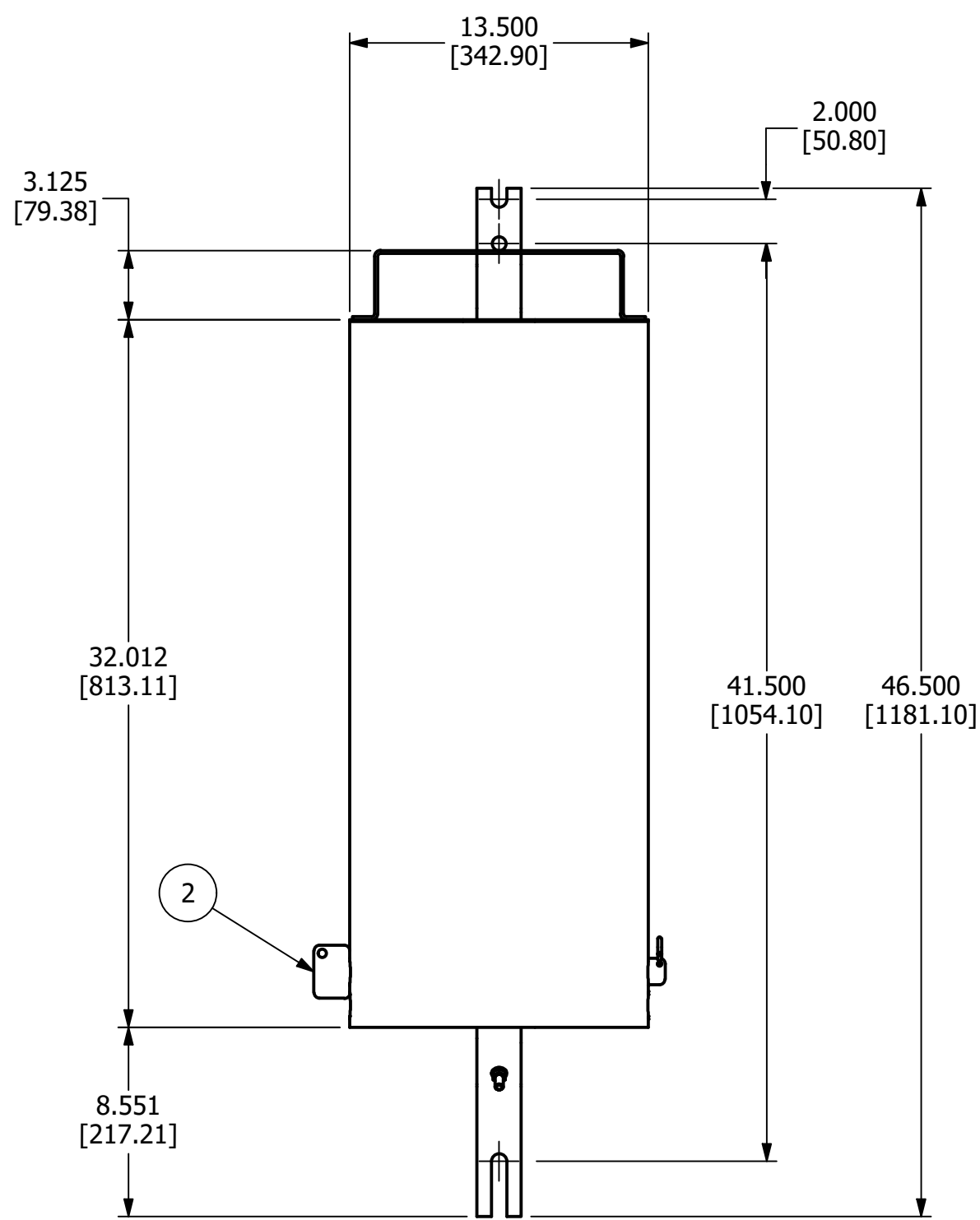


CATALOG NUMBER	FIBER SPLICE ENCLOSURE APPLICATION	APPROX. WT. EACH LB. [KG]	STANDARD PACK
PSC790BRC	790 ENCLOSURES	39.000 [17.69]	1

ITEM	DESCRIPTION	MATERIAL
1	BULLET RESISTANT CANISTER	STAINLESS STEEL
2	BRC PIN	ALLUMINUM ALLOY
3	COTTER HAIR-PIN	STEEL
4	GROUND STUD	STAINLESS STEEL
5	LOCK WASHER	STAINLESS STEEL
6	HEX NUT	STAINLESS STEEL

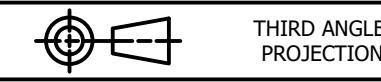


DETAIL A
SCALE 1 : 1



NOTES:
1. ALL DIMENSIONS FOR REFERENCE ONLY. DISTANCE IN. [MM], FORCE: LBS-Force [kN], TORQUE IN. LBS. [N.m] & WEIGHT LBS. [KG]

221027025150	10/27/22	SAV	RT	SP
EC #	DATE	CHANGED BY	CHECKED BY	APPROVED BY
DESCRIPTION:				WEIGHT, LBS
INITIAL RELEASE				SEE TABLE



THIRD ANGLE PROJECTION

CONFIDENTIAL:
THIS DRAWING AND ITS CONTENTS ARE CONFIDENTIAL AND THE EXCLUSIVE PROPERTY OF HUBBELL POWER SYSTEMS. NO PUBLICATION, DISTRIBUTION OR COPIES MAY BE MADE WITHOUT THE WRITTEN CONSENT OF HUBBELL POWER SYSTEMS. HUBBELL POWER SYSTEMS UNPUBLISHED ALL RIGHTS RESERVED UNDER THE COPYRIGHT LAWS

ADDITIONAL COMMENTS: --

 **HUBBELL POWER SYSTEMS, Inc.**

TITLE
**790 BULLET RESISTANCE CANISTER
CUSTOMER DRAWING**

CATALOG NUMBER: **SEE TABLE**

SIZE	DWG NO.	PART / ASSY NO.	REV
C	CC-28024	SEE TABLE	0

SCALE: NTS DRN BY: SAV DATE: 10/07/22 SHEET 1 OF 1